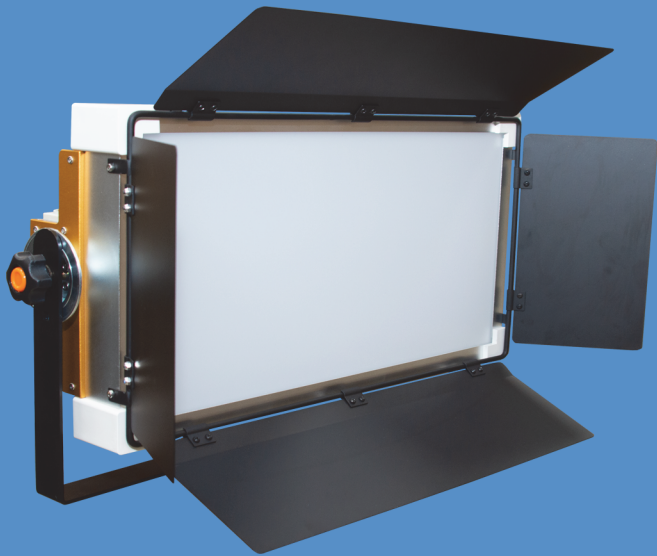


ALL
LIGHT

5



Matrix Light

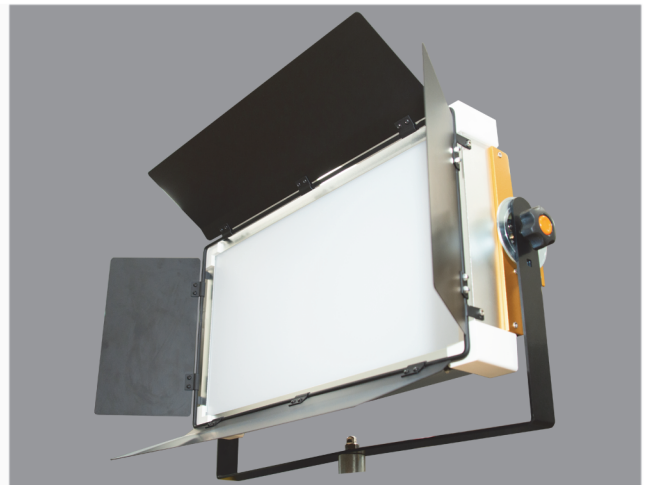


Hi Five !! ALL LIGHT 5

Excellent cost-effective lighting / CRI97 Ultra-Hi Color Rendering Index

Practical and reasonable alternative ML-AL5

The ALL LIGHT5 offers core lighting functions that are crucial to any visual media production environment. The product offers unrivaled versatility in a wide range of environments, including live performances, broadcasts, and film sets. The ALL LIGHT5's performance is minimally influenced by temperature change. Users of the ALL LIGHT5 can expect the best performance in every situation thanks to its ultra high color rendering index (CRI>97) and signature light quality.



Simple and convenient control interface

ALL LIGHT5 features an intuitive control system consisting of a simple interface that enables users to rapidly access all menu items. The control system provides users an ease of operation that other lighting systems cannot replicate.

DMX-512 standard protocol

ALL LIGHT5 supports DMX-512 standard protocol and can be controlled with most traditional lighting controllers. ALL LIGHT5 also supports 8/16 Bit control for compatibility with DMX controllers.

Product specifications

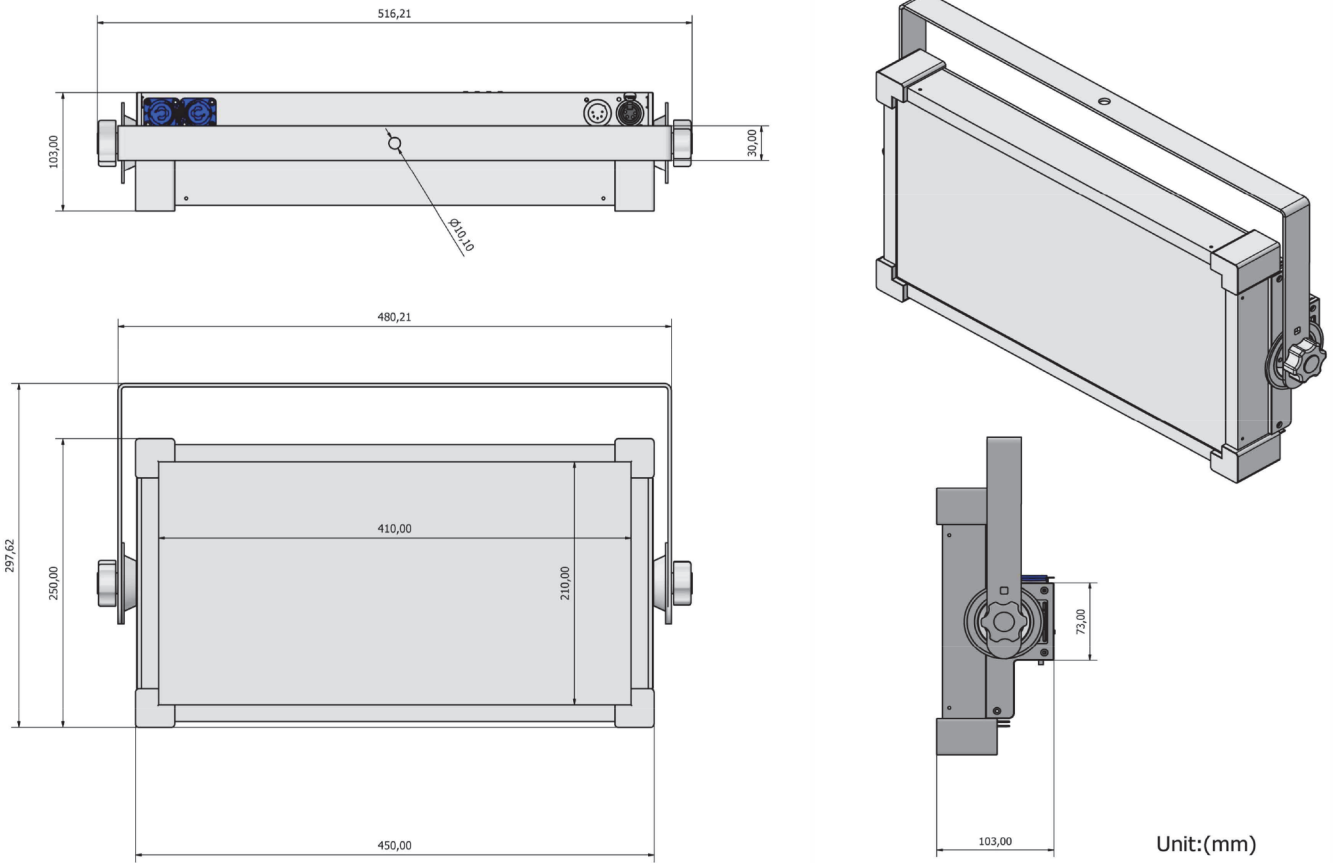
Lamp Head	
Optical System	Soft Diffusion Panel
Light Aperture	ML-AL5: 410 x 210 mm / 16.1 x 8.3"
Beam Angle	115° (Half Peak Angle)
Weight	4.7kg/10.4lbs
Handling	Steel Yoke, High Strength Tilt Lock, Pole Operation Option (Pan & Tilt)
Mounting	16 mm / 28 mm Combo Pin (Baby 5/8" / Junior 1-1/8" Combo Pin)
Tilt Angle	+/- 90°
Lamphead Voltage Input	24 V DC
Power Consumption	24V DC / 6.25A / 130 W Nominal, 150 W Maximum
Lamphead Power Connection	Male 3-Pin Power Con - 15 Amp (Pin 1: Negative / Pin 2: Positive / Pin 3: Ground)
White Light (ML-AL5B Color Model Only)	2,800 K to 5,600 K continuously variable correlated color temperature 5,600K Cool White Only (For ML-AL5A Model)
Color Temperature Tolerance	+/- 400 K (nominal)
Color Rendition	CRI Average > 97 TLCI Average > 95
Dimming	0 to 100 % continuous
Control	On-Board Controller, 3-Pin DMX In and Through
Housing Color	Orange / Silver, Black, White
Ambient Temperature Operation	-20 to +45° C (-4 to +113° F)
Protection Class / IP Rating	III / IP20
Estimated LED Lifetime (L70)	50,000 hours
Estimated Color Shift Over Lifetime (CCT)	+/- 5 %

Power Supply Unit	
Power Supply Input Range	180 to 240 V ~, 50/60 Hz
Power Supply Output Range	24V DC / 12.5A
Power Input Connection	PowerCON TRUE1 (Bare Ends / Schuko / Edison cables available)
Weight	4.7Kg/10.4lbs
Dimensions	450 x 250 x 103 mm / 17.7 x 9.8 x 4.0"
Control	On-Board On/Off Switch

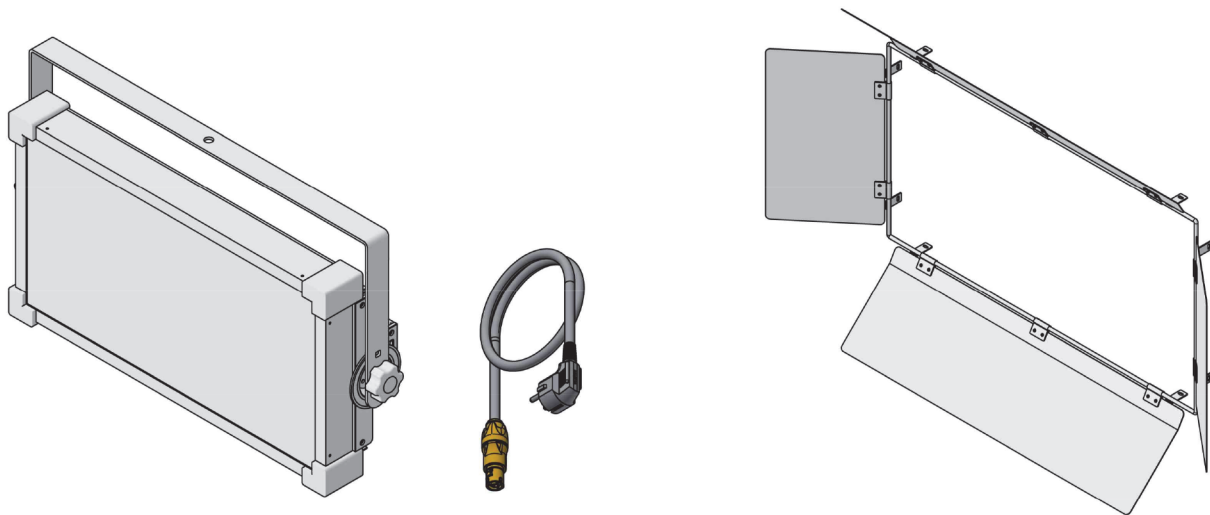
Photometric Data

	3 m / 9.8 ft		5 m / 16.4 ft		7 m / 23 ft		9 m / 29.5 ft	
All Light 1	3,200 K	5,600 K	3,200 K	5,600 K	3,200 K	5,600 K	3,200 K	5,600 K
All Light 5 with Standard Diffusion	390 lx	400 lx	140 lx	145 lx	72 lx	74 lx	43 lx	45 lx
	38 fc	38 fc	14 fc	14 fc	7 fc	7 fc	4 fc	4 fc

Product Dimension



Basic Components (ML-AL5 LED Light, ML-PC5 Power Cable, ML-BD5 Barn Door)



■ **Product Informations Inquiries**

Matrix Light Co., Ltd.
 Goyang Arcbiz Knowledge-Industry center F314, 315,316
 63, Samwon-ro, Deogyang-gu, Goyang-si,
 Gyeonggi-do 10550

010-7232-2888
 csmatrixlight@gmail.com
 www.matrixlight.com

■ **Sales representative**

