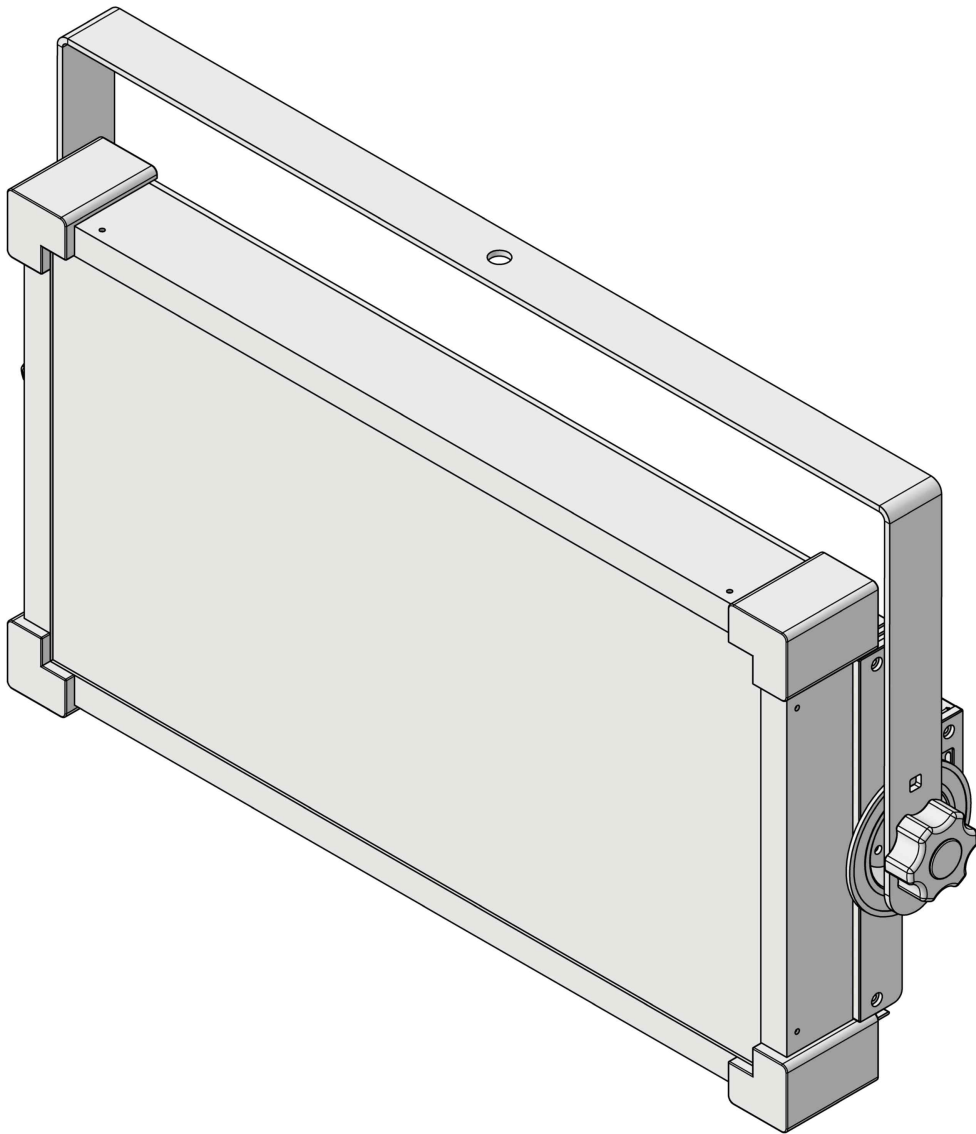


ALL LIGHT5

User Manual



Matrix Light

••• Contents •••

ABOUT PRODUCT

01. THE ALL LIGHT5	1
02. BEFORE READING THE USER MANUAL	1
03. SAFETY AND WARNINGS	2
04. PACKAGE CONTENTS	6

ALL LIGHT5 FEATURES

01. LED LIGHT	7
---------------------	---

INSTALLING & OPERATION

01. ALL LIGHT5 INSTALLATION & USE	8
02. CONTROL MENU	8
03. DMX MENU LAYOUT	9

TROUBLESHOOTING

01. TROUBLESHOOTING CHECKLIST	9
-------------------------------------	---

ADDITIONAL INFORMATION

01. WARRANTY	10
02. STORAGE INSTRUCTIONS	10
03. PRODUCT SPECIFICATIONS	10
04. AFTER SALES SERVICE	12

- Please carefully read all safety guidelines in this manual before installing and operating this product.
- Changes and quality improvements to this product may be made without prior notice.
- Carefully read and understand this manual before installing and operating the product.
- This manual is available online at www.matrixlight.com

••• ABOUT PRODUCT

01. THE ALL LIGHT5 •••

The Matrix Light ALL LIGHT5

Thank you for choosing the Matrix Light ALL LIGHT5 (ML-AL5). The ALL LIGHT5 offers core lighting functions that are crucial to any visual media production environment. The product offers unrivaled versatility in a wide range of environments, including live performances, broadcasts, and film sets.

Fast, intuitive control

ALL LIGHT5 features an intuitive control system consisting of a simple interface that enables users to rapidly access all menu items. The control system provides users an ease of operation that other lighting systems cannot replicate.

Flexible DMX control interface

ALL LIGHT5 supports standard DMX-512 communication protocol and can be controlled with most traditional lighting controllers. ALL LIGHT5 also supports 8/16 Bit control for compatibility with DMX controllers.

Reliable quality, robust performance



The ALL LIGHT5's light but strong aluminum build enables optimal heat dissipation and mobility. The ALL LIGHT5 is designed for maximum structural integrity and ease of handling for a comfortable operation.

The ALL LIGHT5's performance is minimally influenced by temperature change. Users of the ALL LIGHT5 can expect the best performance in every situation thanks to its high color rendering and signature light quality.

02. BEFORE READING THE USER MANUAL •••

Please carefully note the following:

Safety icons

Icon	Name	Meaning
	Warning	This symbol indicates hazardous actions and situations that may cause serious injury or death.
	Caution	This symbol indicates hazardous actions and situations that may cause injury or property damage.

Safety information and warranty service

Carefully read all safety guidelines and recommendations outlined in this manual before operating the ALL LIGHT5.

- The illustrations included in this manual may differ slightly from the actual product.
- Please consult the 'troubleshooting checklist' before contacting Matrix Light for repair service.
- Matrix Light will charge a service fee for repair requests for a non-defective product.
- Matrix Light is not responsible for any injury or damage to property caused as a result of violating instructions in this manual.
- Please check the performance and operating condition of the ALL LIGHT5 before using.

03. SAFETY AND WARNINGS ●●

Not following the instructions below may result in serious personal injury or damage to property.

High voltage! Risk of electric shock and fire.

- ⚠ Read and understand all safety and operating instructions before installing and operating the ALL LIGHT5.
- ⦿ Failing to adhere to basic safety protocols while operating the ALL LIGHT5 may cause serious injuries, death, or severe damage to the product.
- ⚠ Operate this product individually.
- ⚠ Always ensure that the local AC power supply matches the voltage and frequency rating printed on the product type label before using the ALL LIGHT5.
- ⚠ Only use Matrix Light power supply units (PSU) and connecting cables intended for the ALL LIGHT5.
- ⦿ To protect against electric shock, always connect the external power supply to ground electrically when connected to AC power. The AC mains power supply must be equipped with a fuse or circuit breaker and a ground fault (ground failure) protection.
- ⦿ Only use a power supply and connector cable dedicated to the ALL LIGHT5. Using other power supplies and connector cables can cause malfunction and damage to the product.
- ⚠ When using a battery pack, always ensure that the voltage matches the voltage range printed on the product type label before connecting the battery pack to the ALL LIGHT5.
- ⚠ Never use the power cables for transportation. Never hang heavy objects on the power cables. Do not hang the battery pack on the ALL LIGHT5 connection cable.
- ⚠ Do not open or disassemble the product.
- ⦿ Never repair any part of the product on your own. Maintenance and repair work is only done in the Matrix Light service center. Any unauthorized repairs on the ALL LIGHT5 will void its service warranty.
- ⦿ Never bypass, disable, or remove any safety features of the ALL LIGHT5.

Humidity and condensation

- ⚠ Do not expose the product to rain or moisture. Do not use the product for 2 hours when exposed to a large temperature difference as condensed moisture may damage the product when switched on.
- ⚠ Do not bend cables near their connections. Moisture may enter the connection and cause damage to the ALL LIGHT5.

Overheating and fire hazards

- ⚠ Do not operate the ALL LIGHT5 if the ambient temperature exceeds 45°C.
- ⚠ Extended operation of the ALL LIGHT5 may result in hot surfaces (up to 80°C). Make sure that the product is sufficiently cooled before handling.
- ⚠ Do not cover air vents when operating the ALL LIGHT5. Keep a clearance around the vents of

at least 0.5m(1.65ft).

- ⚠ Do not place the ALL LIGHT5 near heat sources. Intense heat may damage the product and trigger automatic power offs.

Intense light! Risk of eye damage and fire

- ⚠ Never stare directly at the LED panel of an operating ALL LIGHT5. Irreversible eye damage may occur. Wear safety glasses when doing so is unavoidable. Keep a minimum distance of 1.0m(3.3ft) from objects and people when operating. The product may cause eye injury when it is suddenly turned on.
- ⚠ Never operate the ALL LIGHT5 without a diffuser installed.
- ⚠ Always connect the ALL LIGHT5 directly to AC power. Do not connect the ALL LIGHT5 to a dimmer system. It may damage the product.

Heavy weight! Risk of injury.

- ⚠ The ALL LIGHT5 and its accessories must be properly secured when mounted above the floor. In particular, if the ALL LIGHT5 is attached to the ceiling, in addition to clamping the fastening spigot, be sure to use auxiliary safety cables that can support at least ten times the weight of the ALL LIGHT5 and its accessories to prevent the product falling off the ceiling if it slips out of its c-type clamp.
- ⚠ Attach an approved safety cable to prepare for c-type clamp or bracket failure when mounting the ALL LIGHT5 above the floor. The safety cable must be able to withstand at least 10 times the weight of the ALL LIGHT5 and all accessories mounted on the product. Ensure that the safety cables comply with EN 60598-2-17 Section 17.6.6 and are approved by an organization such as TUV.
- ⚠ Wrap safety cables around the "E" shaped light stand and keep it as short as possible. Handles and floor stands should not be used as anchors for safety cables.
- ⚠ Always observe general and local safety regulations when installing the ALL LIGHT5.
- ⚠ Make sure that the "E" shaped light stand hangs or stands vertically. Installing it horizontally may cause the connecting parts to deform or break.
- ⚠ The ALL LIGHT5 may cause injury or damage to objects when it falls onto safety cables due to its horizontal length (450mm). Matrix Light recommends installing 1 safety cable onto each fixing device.
- ⚠ Whenever installing, servicing, or moving the ALL LIGHT5 or its accessories, block access below the workspace and work on a stable platform.
- ⚠ When using third-party accessories (e.g. battery pack and battery charger), please refer to their manuals. They may contain important safety and security information.

Product maintenance

- ⚠ Do not clean the surface of the ALL LIGHT5 with solvents or strong detergents.
- ⚠ Wipe the surface with a soft cloth moistened with a mild detergent. Do not rub with force.

- ⚠ Clean electrical contacts with a cotton swab soaked in isopropyl alcohol. Keep electrical contacts clean at all times and replace corroded parts before using.
- ⚠ The ALL LIGHT5 must be used in a dry environment. Always follow all relevant safety guidelines. Uses other than those described in this manual are not permitted and may cause damage to the product, short circuits, fires and electric shock.
- ⚠ Do not shine a high-power, heat-emitting light source at the ALL LIGHT5, its diffuser, and its LCD at close range. The diffuser, LCD and internal circuits may deform or become damaged due to heat very quickly.
- ⚠ In addition to regular visual checks, Matrix Light recommends that all electrical products and accessories are tested for electrical safety by a licensed professional every 12 months.
- ⚠ ALL LIGHT5 LED cannot be replaced individually. If an LED reaches the end of its operational life, the entire LED board must be replaced.
- ⚠ If an LED malfunctions before its specified operating life is over, contact the Matrix Light main office or authorized dealer, distributor, service agent, or other qualified persons.

Installation / operation

- ⚠ Do not install or operate in a smoky, dusty, humid (wet), or oily environment.
- ⚠ Exposure of the ALL LIGHT5 to oil or moisture may cause electrical shock or fire.
- ⚠ Do not point an operating ALL LIGHT5 at the driver of a moving vehicle. Risk of accidents.
- ⚠ Do not cover the sides and air vents of the ALL LIGHT5 while it is operating. Doing so may shorten the lifespan of internal components and cause fires.
- ⚠ Only use specified external power supplies and batteries. Using unauthorized third-party power sources may cause damage to equipment and lead to fires.
- ⚠ If the ALL LIGHT5 has been lit for more than 5 minutes, do not handle until the product cools down sufficiently. Risk of low temperature burns.
- ⚠ If the ALL LIGHT5 becomes submerged in water, or if its exterior casing is severely damaged, immediately power off and unplug the product from all power sources and accessories. Risk of fire and electric shock. Contact the Matrix Light service center as soon as possible.
- ⚠ Do not disassemble, repair, or modify the ALL LIGHT5. Risk of equipment damage, fire, and electric shock. Contact the Matrix Light service center for all repairs.
- ⚠ Do not operate or store the ALL LIGHT5 near flammable sprays or substances. Risk of explosion and fire.
- ⚠ Do not insert any objects into the air vents and power terminals of the ALL LIGHT5. Risk of electric shock and fire. Power off and unplug from all power sources and accessories immediately if water or any foreign objects enter the ALL LIGHT5. Then, contact the Matrix Light service center for repairs.
- ⚠ Avoid humidity and extreme temperature changes when operating the ALL LIGHT5. Risk of electric shock and fire. Outdoor use of the ALL LIGHT5 during thunderstorms may cause

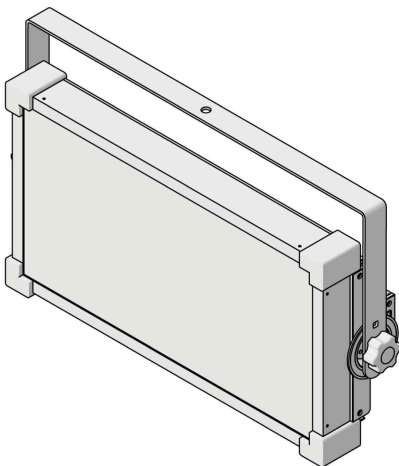
damage to product and electric shock.

- ⚠ Keep small parts out of reach of children. Choking hazard. If swallowed, contact a doctor right away.
- ⚠ Do not clean the ALL LIGHT5 with benzene and paint thinners. Doing so may cause deformation and discoloration.
- ⚠ Do not handle or operate the ALL LIGHT5 with wet hands. Risk of electric shock and damage to product.
- 🔌 Store in a cool, ventilated area after use.

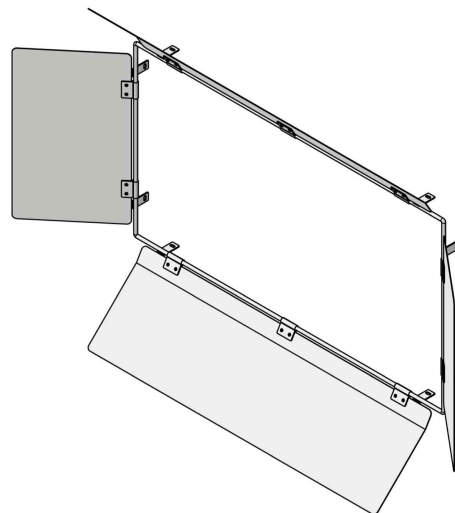
04. PACKAGE CONTENTS ...

Ensure that your package contains all products and accessories before use. Different package types may contain different products and accessories.

Standard contents ...



ALL LIGHT5 (LED light / power cable)



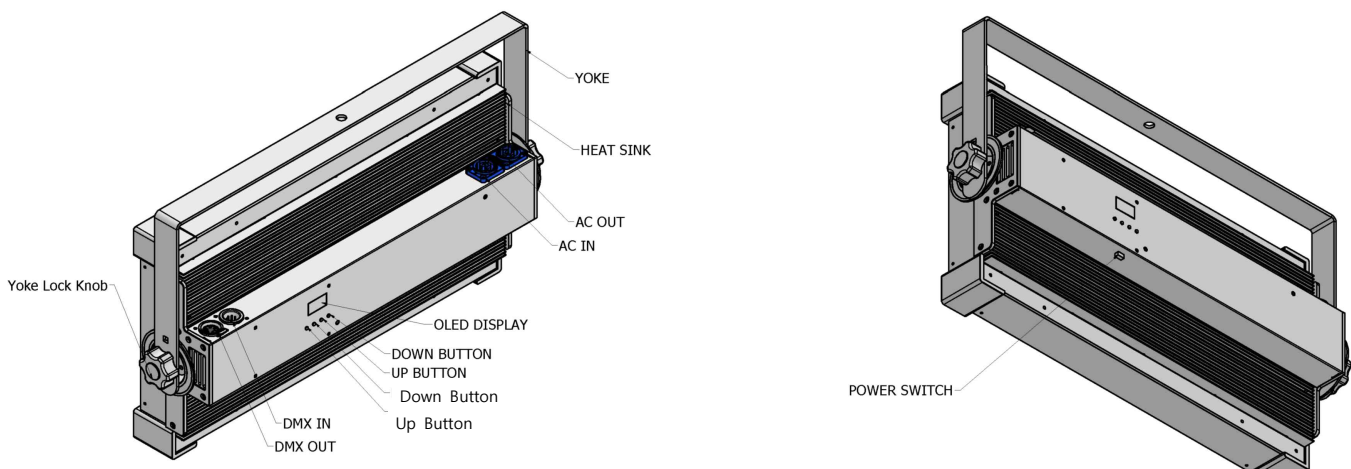
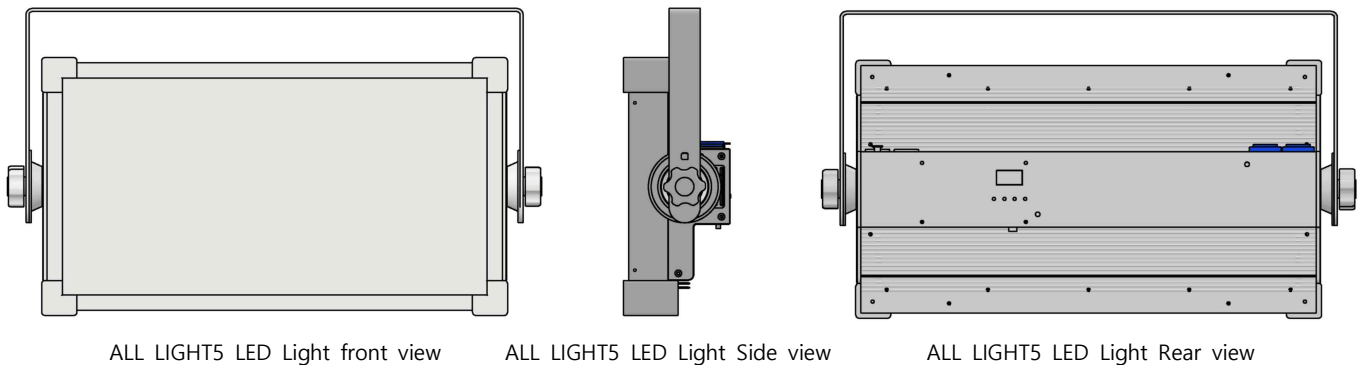
OPTIONAL (ML-BD5 Barn Door)

- Included/additional accessories are available online for purchase at www.matrixlight.com
- Only use accessories (eg. power cable, battery, power supply) provided by Matrix Light. Matrix Light does not provide warranty for damages caused by using unauthorized third-party accessories.

••• ALL LIGHT5 FEATURES

01. LED LIGHT •••

[ALL LIGHT5]



ALL LIGHT5 LED Light controls & features

••• INSTALLING AND OPERATION

01. ALL LIGHT5 INSTALLATION & USE •••

AC power

Matrix Light ALL LIGHT5 operates on AC power (AC 220V, 50/60 Hz). Ensure that the ALL LIGHT5 is disconnected from DMX controllers before connecting to an AC power source. Do not stare directly at the ALL LIGHT5 when powering on. Matrix Light supplies 200V compatible PowerCON cable connectors and/or other power cables with the ALL LIGHT5. Only use Matrix Light ALL LIGHT5 connector cables.

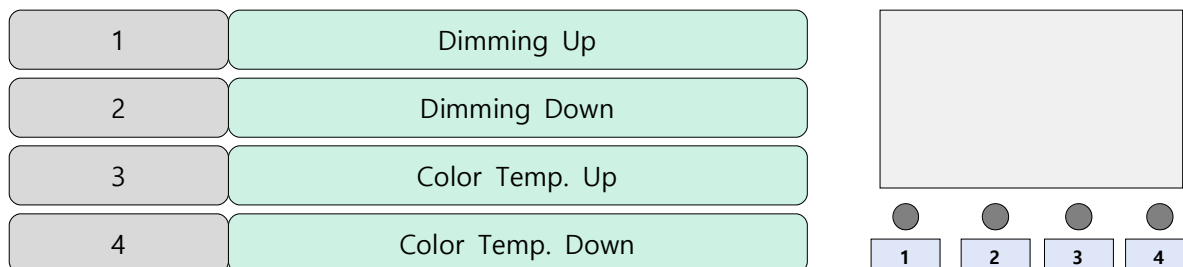
Power switch ON/OFF

After connecting the ALL LIGHT5 to AC power, set the power switch on the backside of the ALL LIGHT5 to "ON" to turn it on. After use, set the power switch to "OFF", then disconnect the product from the power supply cable.

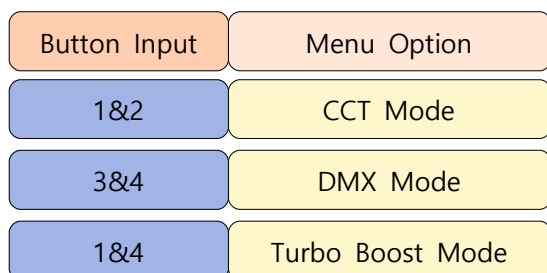
02. CONTROL INTERFACE ...

The control options of the Matrix Light ALL LIGHT5 are as follows:

Button Options



Menu Selection



03. DMX MENU LAYOUT ...

The DMX menus of the Matrix Light ALL LIGHT5 are as follows:

8 bit 1 channel per function	16 bit 2 channels per function
DMX mode 1	DMX mode 2

All Light 5 DMX Settings					
8Bit					
MODE	CHANNEL	FUNCTION	VALUE	%	Notes
CCT	1	DIMMER	0-255	0-100	Channel set 1 - 506
	2	CCT	0-255	0-100	2800K - 5600K
TURBO	3	TURBO	0-255	0-50, 51-100	0-50%: Normal Mode, 51-100%: Turbo Mode

All Light 5 DMX Settings					
16Bit					
MODE	CHANNEL	FUNCTION	VALUE	%	Notes
CCT	1	DIMMER	0-65535	0-100	Channel set 1 - 501
	2				
	3	CCT	0-65535	0-100	2,800K - 5,600K
	4				

All Light 5 DMX Settings					
16Bit					
TURBO	5	TURBO	0-65535	0-50, 51-100	0-50%: Normal Mode, 51-100%: Turbo Mode

••• TROUBLESHOOTING

01. TROUBLESHOOTING CHECKLIST •••

Refer to the following checklist for troubleshooting common issues. If the problem persists, contact the nearest Matrix Light authorized dealer or the Matrix Light service center.

Issues	Check the following
The ALL LIGHT5 does not turn on.	<ul style="list-style-type: none"> ■ Make sure that the ALL LIGHT5 is properly connected to a power source via a power cable. ■ Make sure that the power cable is connected to the proper power terminal of the ALL LIGHT5.
The ALL LIGHT5 is connected to power but does not turn on.	<ul style="list-style-type: none"> ■ Check that the power supply switch is set to "ON". ■ Check the temperature of the ALL LIGHT5. Power off and cool sufficiently if needed.
The ALL LIGHT5 turns off automatically.	<ul style="list-style-type: none"> ■ Check the temperature of the ALL LIGHT5. Power off and cool sufficiently if needed.

••• ADDITIONAL INFORMATION

01. WARRANTY •••

- Product warranty is valid for 1 year from purchase.
- Product damages caused by natural disasters or user negligence are not covered by warranty.
- To claim warranty, please send the defective product and purchase receipt to the Matrix Light head office or authorized dealer, or visit the Matrix Light service center in person.

02. STORAGE INSTRUCTIONS •••

- Store in a dry, ventilated area.
- Do not store near products containing naphthalene or objects that emit electromagnetic radiation.
- Do not store in hot and humid environments for extended periods of time.
- Disconnect the power supply unit and power cable after use.

- Do not expose to extreme temperature differences as this may cause condensation to form within the product.

03. PRODUCT SPECIFICATIONS ...

Lamp Head	
Optical System	Soft Diffusion Panel
Light Aperture	ALL LIGHT5: 410 x 210 mm / 16.1 x 8.3"
Beam Angle	115° (Half Peak Angle)
Weight	4.7kg/10.4lbs
Handling	Steel Yoke, High Strength Tilt Lock, Pole Operation Option (Pan & Tilt)
Mounting	16 mm / 28 mm Combo Pin (Baby 5/8" / Junior 1-1/8" Combo Pin)
Tilt Angle	+/- 90°
Lamphead Voltage Input	24 V DC
Power Consumption	24V DC / 6.25A / 130 W Nominal, 170 W Maximum
Lamphead Power Connection	Male 3-Pin Power Con - 15 Amp (Pin 1: Negative / Pin 2: Positive / Pin 3: Ground)
White Light (ALL LIGHT5-B Color Model Only)	2,800 K to 5,600 K continuously variable correlated color temperature
Color Temperature Tolerance	+/- 400 K (nominal)
Color Rendition	CRI Average > 95 TLCI Average > 91
Dimming	0 to 100 % continuous
Control	On-Board Controller, 3-Pin DMX In and Through
Housing Color	Orange / Silver, Black, White
Ambient Temperature Operation	-20 to +45° C (-4 to +113° F)
Protection Class / IP Rating	III / IP20
Estimated LED Lifetime (L70)	50,000 hours
Estimated Color Shift Over Lifetime (CCT)	+/- 5 %

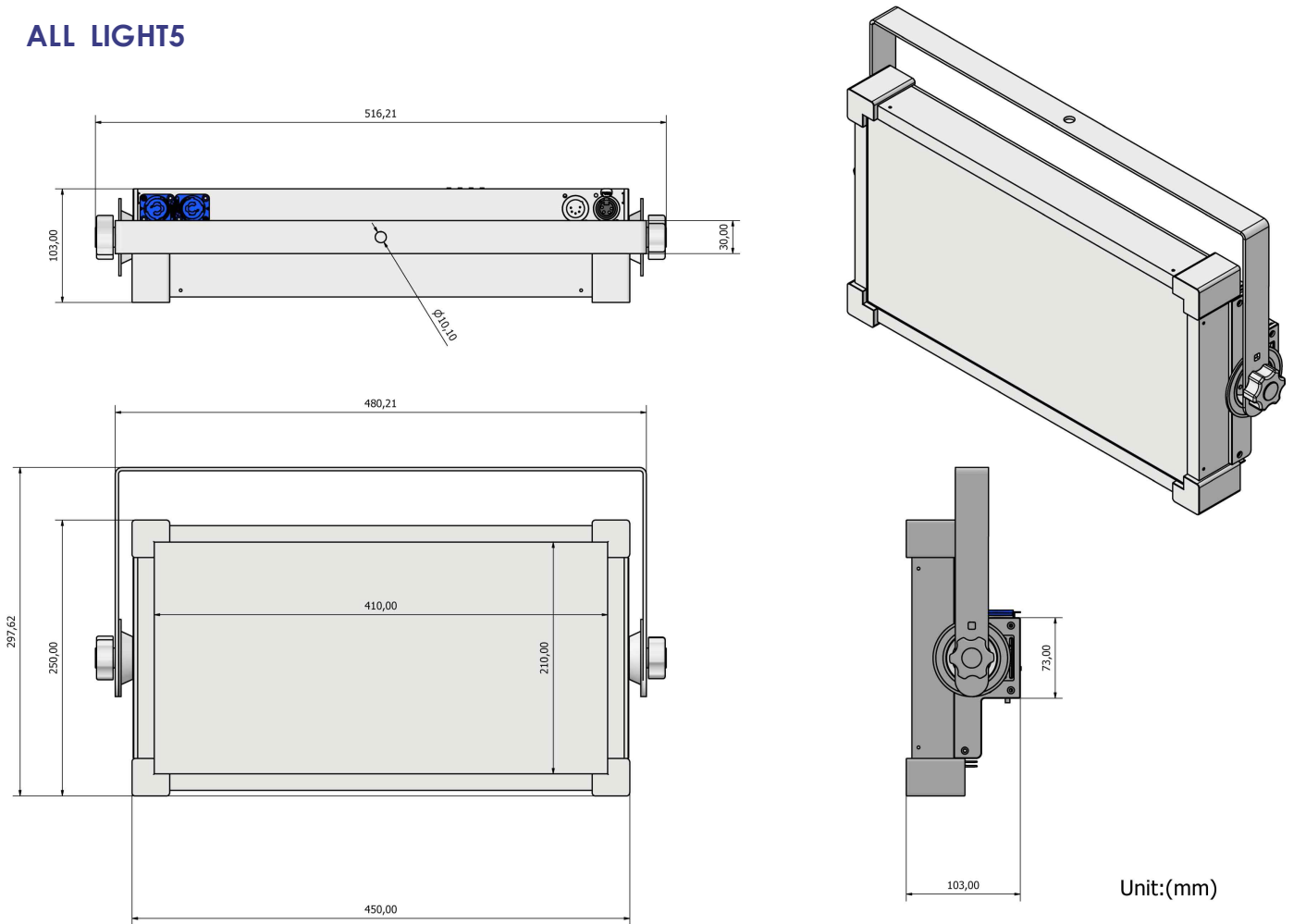
Power Supply Unit	
Power Supply Input Range	100 to 240 V ~, 50/60 Hz
Power Supply Output Range	24V DC / 7.5A
Power Input Connection	PowerCON TRUE1 (Bare Ends / Schuko / Edison cables available)
Weight	4.7Kg/10.4lbs
Dimensions	450 x 250 x 103 mm / 17.7 x 9.8 x 4.0"
Control	On-Board On/Off Switch

Photometric Data

	3 m / 9.8 ft		5 m / 16.4 ft		7 m / 23 ft		9 m / 29.5 ft	
	3,200 K	5,600 K	3,200 K	5,600 K	3,200 K	5,600 K	3,200 K	5,600 K
All Light 5								
All Light 5 with Standard Diffusion	300 lux 28 fc	350 lux 33 fc	180 lux 17 fc	190 lux 18 fc	108 lux 10 fc	111 lux 10 fc	64 lux 6 fc	67 lux 6 fc
All Light 5 Turbo Mode (4200K / Standard Diffusion)	500 lux 46 fc		210 lux 20 fc		120lux 11 fc		60 lux 6 fc	

Product Dimension

ALL LIGHT5



04. AFTER SALES SERVICE ...

- Please visit www.matrixlight.com or call 010-7232-2888 for after sales service inquiries in South Korea.
- Please visit www.matrixlight.com or email csmatrixlight@gmail.com for international after sales service inquiries.
- Please make sure to detail the product serial number, purchase date & location, and issue with the product for a faster service.

Thank you.

Copyright

©2023 Matrix Light

Matrix Light. All rights reserved.

Under the copyright laws, this manual may not be copied, in whole or in part, without the written consent of Matrix Light.